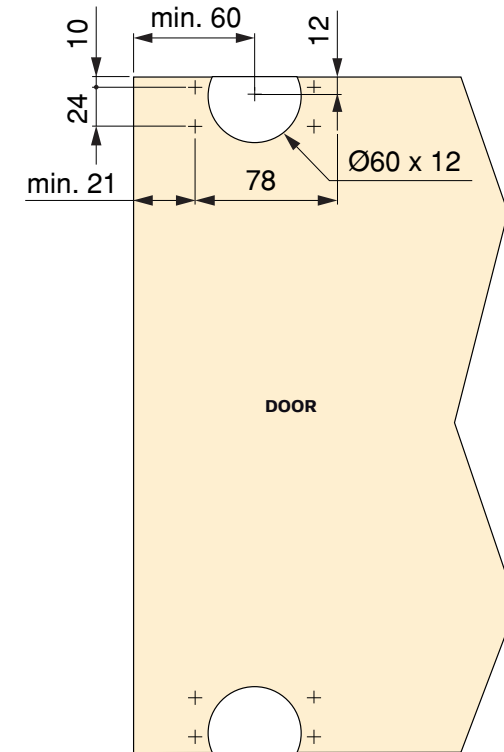
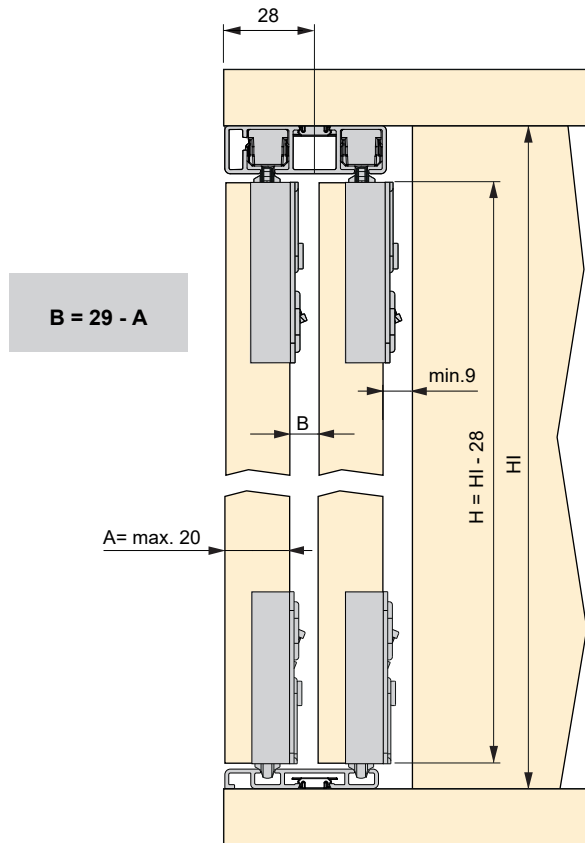
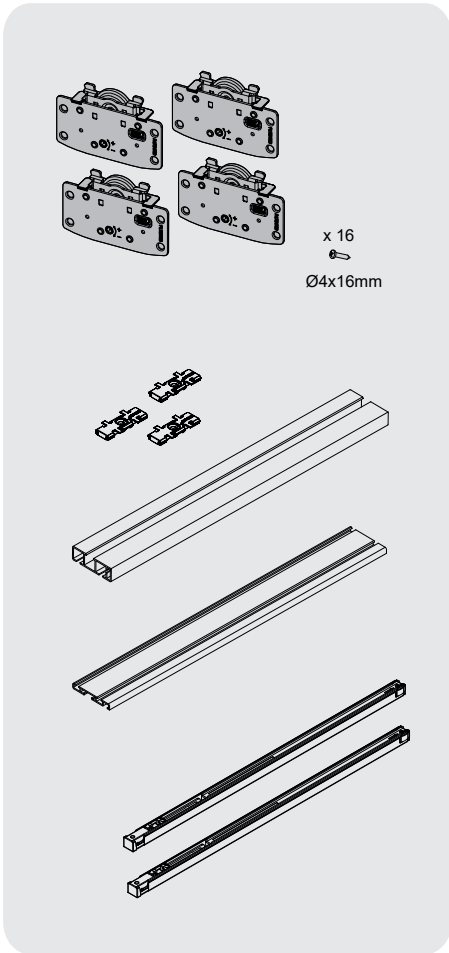
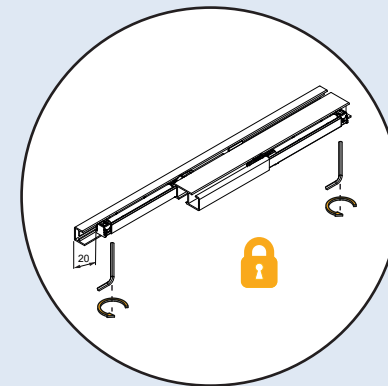
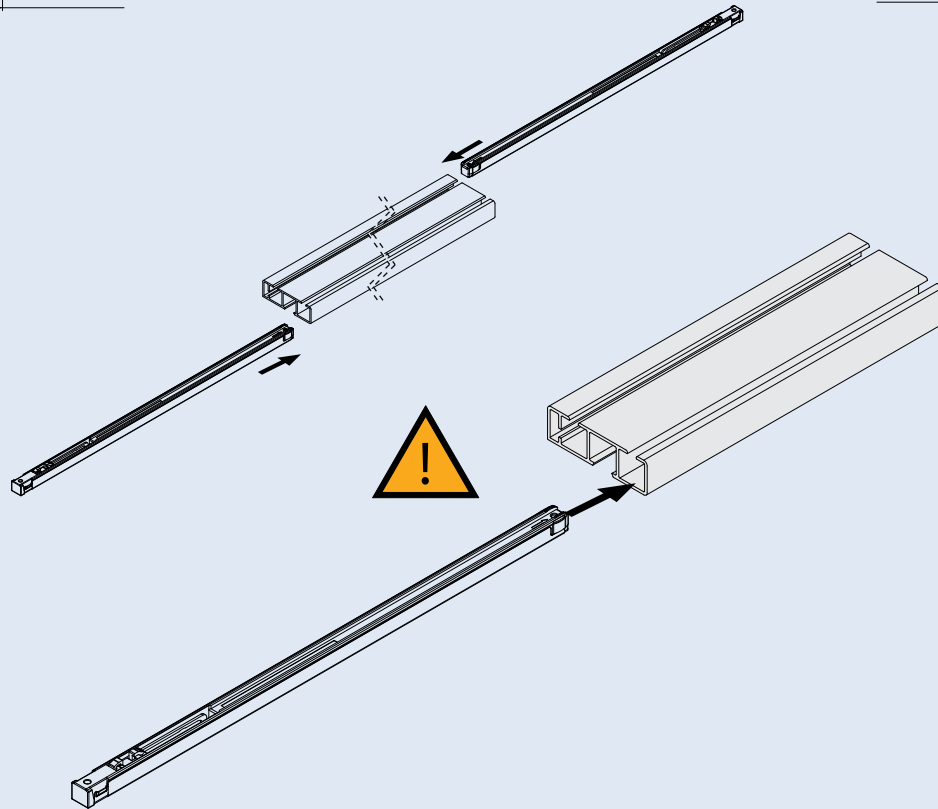
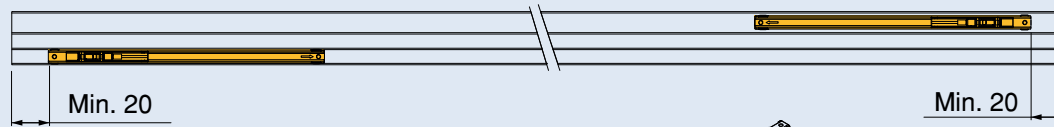
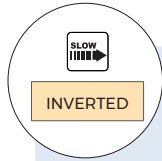
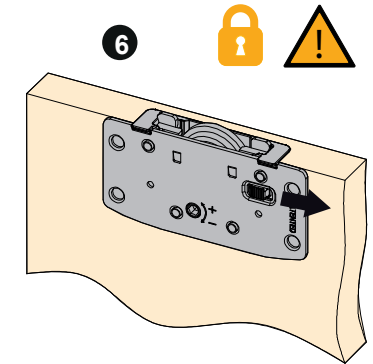
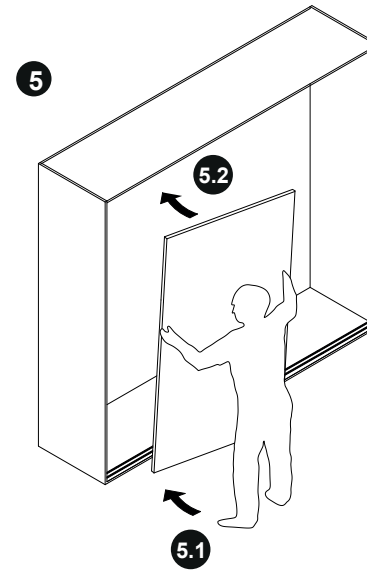
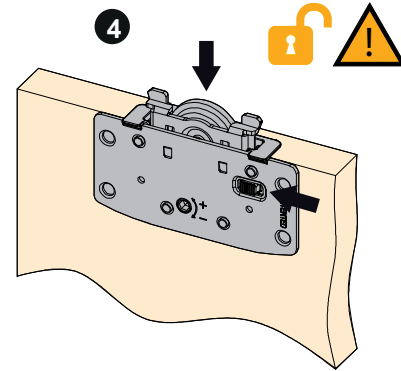
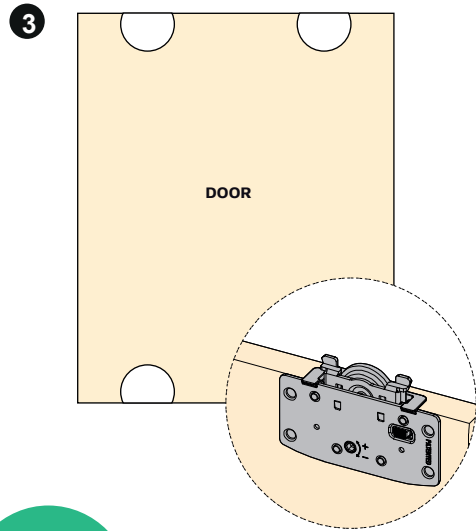
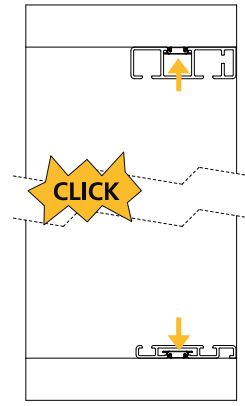
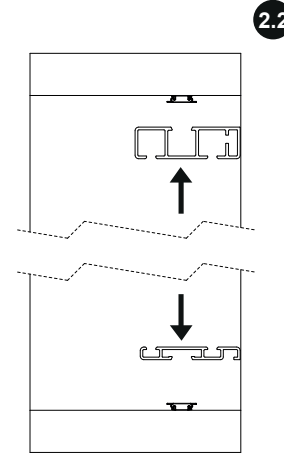
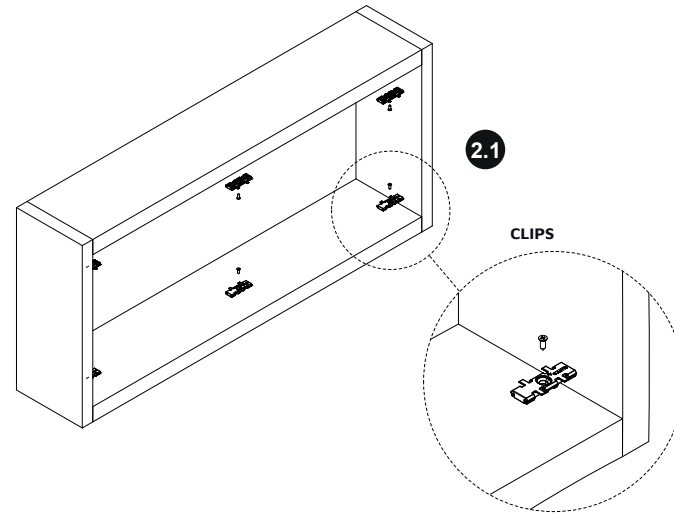
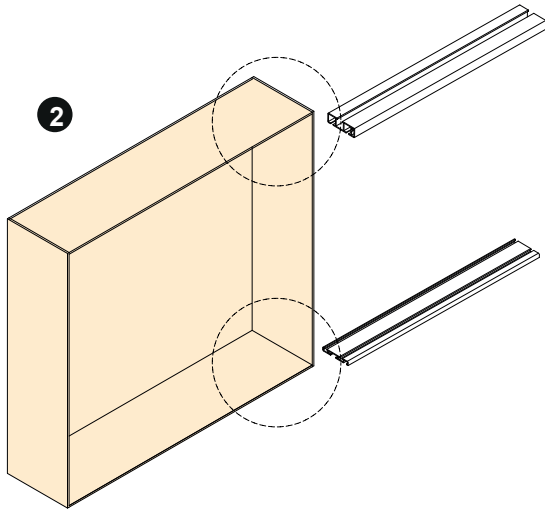


SURFACE MOUNT / A SUPERFICIE / MONTAJE SUPERFICIE / MONTAGE EN SURFACE
MONTAGEM SUPERFÍCIE / SURFACEMOUNT

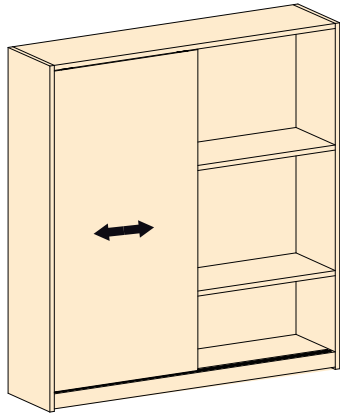


1 SLOW

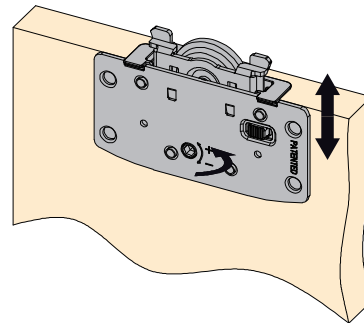




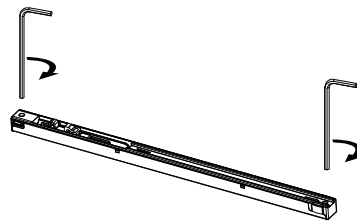
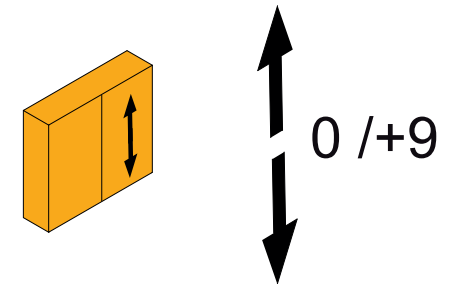
REGULATION



Push the door at the end to position the damper, adjust the doors horizontal.



Adjust regulating up roller.



Lock the damper.